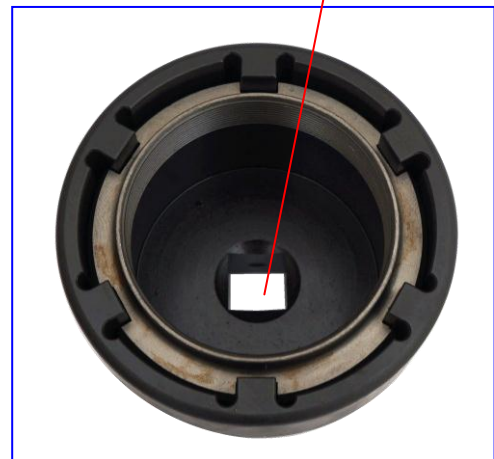
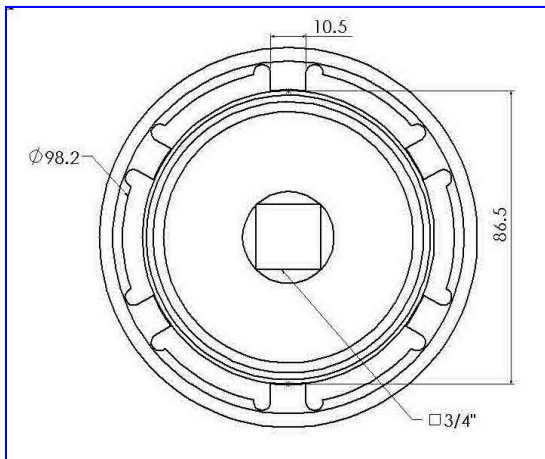


H.C.B-A1678

DAF 12 TONS (LF45) REAR AXLE NUT SOCKET



Dr. 3/4"



- Fix bearing while removing or installing the truck nut.
- Use the air wrench or rod to control the nut to tighten or loosen bearing.
- Application: DAF (LF 45) 12 ton